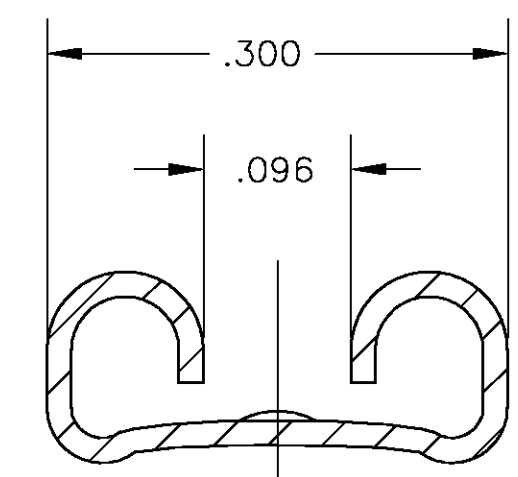
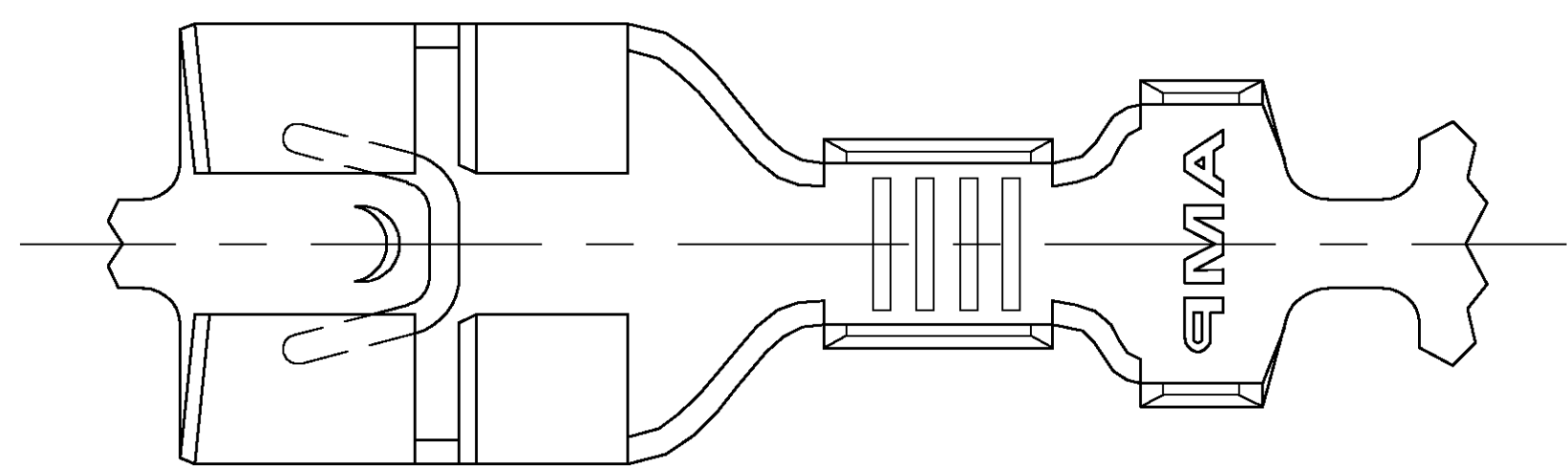


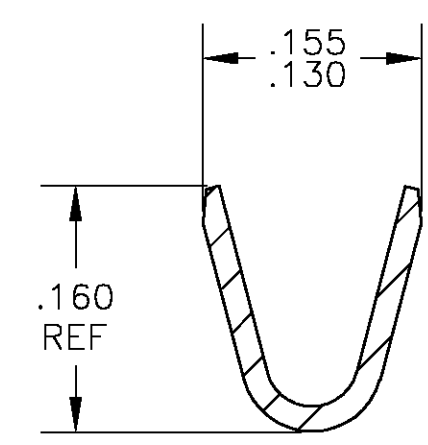
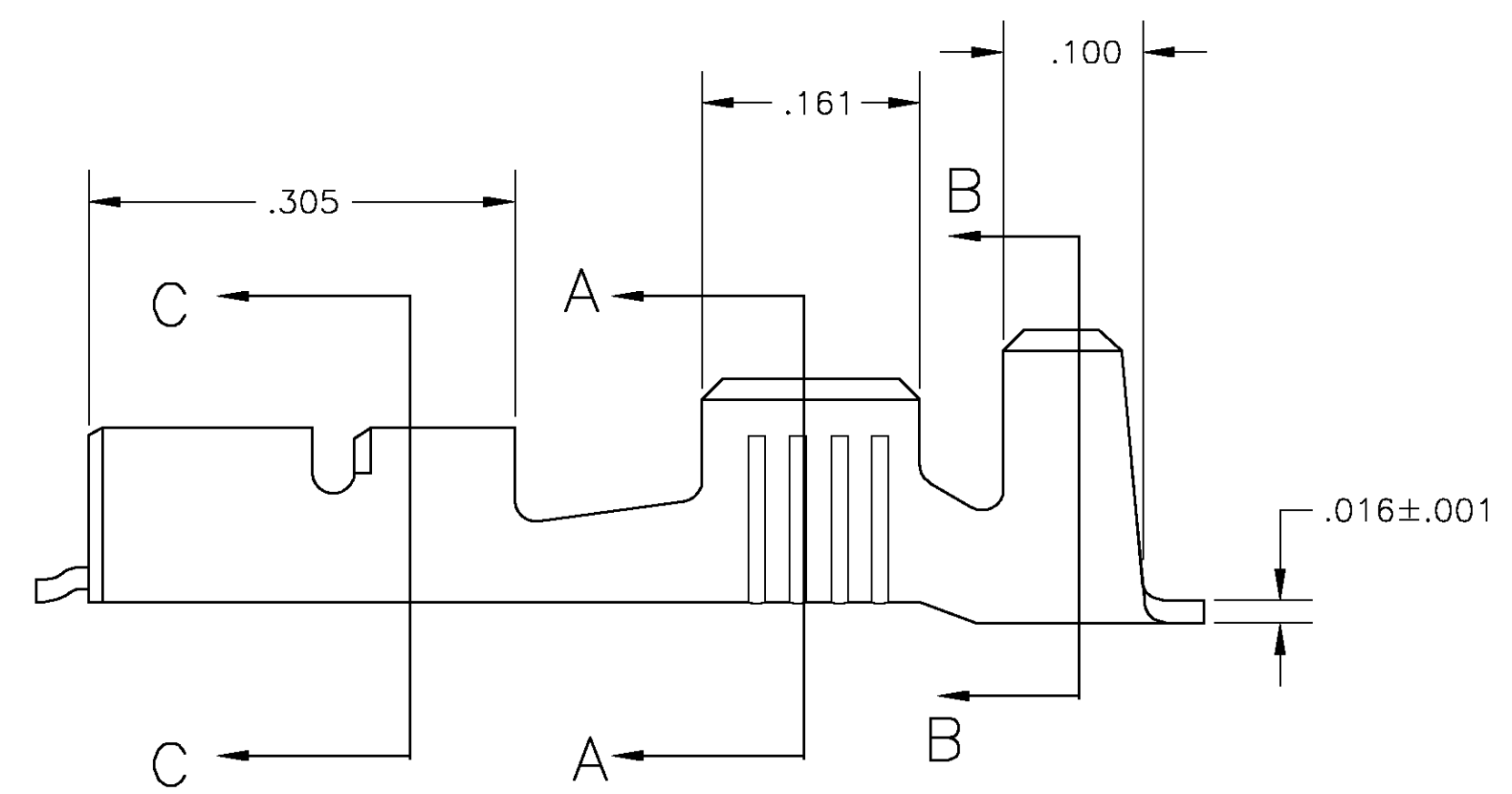
THIS DRAWING IS UNPUBLISHED. RELEASED FOR PUBLICATION  
 © COPYRIGHT BY TYCO ELECTRONICS CORPORATION. ALL RIGHTS RESERVED.

LOC	DIST	REVISIONS			
P	LTR	DESCRIPTION	DATE	DWN	APVD
AF	50	N	REV PER 0G3A-005B-03	24JAN03	JR PD

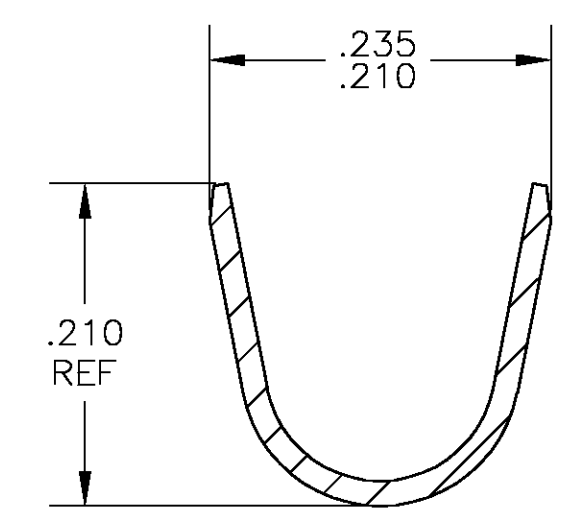
- 1 CONTINUOUS STRIP ON REELS
- △2 ACCEPTS #18-#14 AWG WIRE SIZE
- 3 INSULATION RANGE IS .120-.170 DIA
- 4 MATING TAB THK IS .032±.001.
- △5 REELED WITH INTERLEAVING PAPER
- △6 PRELIMINARY - NOT FOR PRODUCTION



SECTION C-C



SECTION A-A



SECTION B-B

△5 STANDARD	.000080 MIN TIN	△6 1-63306-0
OBSOLETE	REVERSE	63306-3
STANDARD	.000080 MIN TIN	63306-2
STANDARD	-	63306-1
REELING	FINISH	PART NO

THIS DRAWING IS A CONTROLLED DOCUMENT.		DWN JR RUTH 20JUN02	Tyco Electronics Corporation Harrisburg, PA 17105	
DIMENSIONS: INCHES		CHK P DESANTIS 20JUN02	NAME RECEPTACLE, FASTON, .250 SERIES	
TOLERANCES UNLESS OTHERWISE SPECIFIED:		APVD P DESANTIS 20JUN02	SIZE A2	CAGE CODE 00779
0 PLC ± -		PRODUCT SPEC	DRAWING NO C=63306	RESTRICTED TO
1 PLC ± -		APPLICATION SPEC	SCALE 8:1	SHEET 1 OF 1
2 PLC ± -		WEIGHT	REV N	
3 PLC ± .010		CUSTOMER DRAWING		
4 PLC ± -				
ANGLES ± -				
FINISH SEE TABLE				